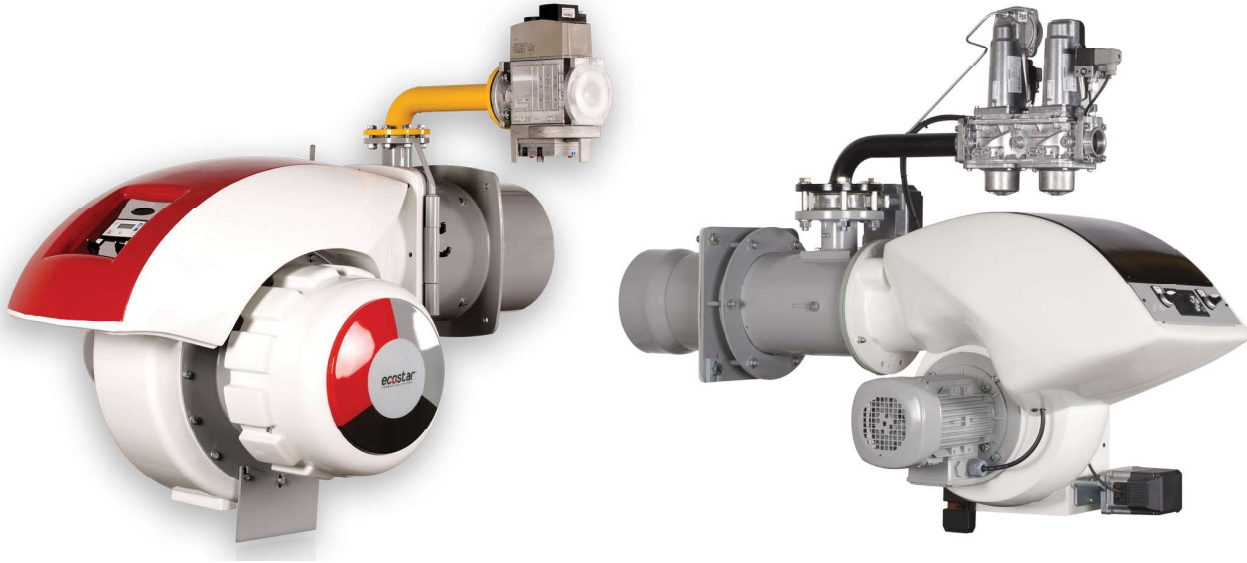




Pls. scan for electronic catalogue.

NG SERIES GAS BURNERS



NEW GENERATION MODULATING GAS BURNERS

CAPACITY TABLES

BURNER TYPE	CAPACITY		CAPACITY		NATURAL GAS CONSUMPTION		LPG CONSUMPTION		FAN MOTOR POWER	VOLTAGE AT 50 Hz
	Min. kcal/h	Max. kcal/h	Min. kW	Max. kW	Min. Nm ³ /h	Max. Nm ³ /h	Min. Nm ³ /h	Max. Nm ³ /h	kW	VAC
ECO 50 G C 3 NG	215.000	1.290.000	250	1.500	26,1	156,4	9,6	57,3	2,20	3N 380
ECO 55 G C 3 NG	258.000	1.720.000	300	2.000	31,3	208,5	11,5	76,4	3,00	3N 380
ECO 55 G C 3a NG	258.000	2.150.000	300	2.500	31,3	260,6	11,5	95,6	3,00	3N 380
ECO 60 G C 3 NG	369.800	2.580.000	430	3.000	44,8	312,7	16,4	114,7	4	3N 380
ECO 65 G C 3 NG	430.000	3.010.000	500	3.500	52,1	364,8	19,1	133,8	5,5	3N 380
ECO 70 G C 3 NG	498.800	3.500.200	580	4.070	60,5	424,3	22,2	155,6	7,5	3N 380
ECO 8 G C 3 NG	516.000	5.160.000	600	6.000	62,5	625,5	22,9	229,3	11,00	3N 380
ECO 8 G C 3 a NG	602.000	6.020.000	700	7.000	73,0	729,7	26,8	267,6	11,00	3N 380
ECO 8 G C 3 b NG	688.000	6.880.000	800	8.000	83,4	833,9	30,6	305,8	15,00	3N 380
ECO 9 G C 3 NG	731.000	7.310.000	850	8.500	88,6	886,1	32,5	324,9	18,50	3N 380
ECO 9 G C 3 a NG	774.000	7.740.000	900	9.000	93,8	938,2	34,4	344,0	22,00	3N 380
ECO 9 G C 3 b NG	946.000	9.030.000	1.100	10.500	114,7	1.094,5	42,0	401,3	22,00	3N 380
ECO 9 G C 3 c NG	1.290.000	10.320.000	1.500	12.000	156,4	1.250,9	57,3	458,7	22,00	3N 380

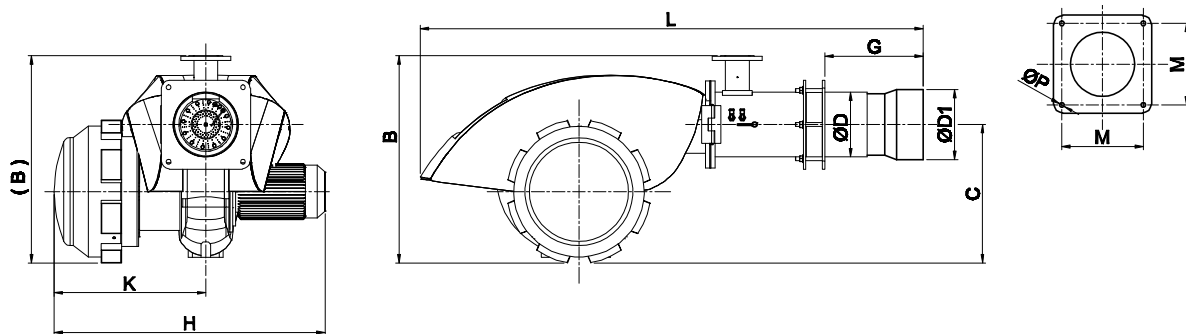
TECHNICAL SPECIFICATIONS

- Easy maintenance with its hinged system without detaching the burner from the boiler,
- Sliding flange for connection to different types of boilers,
- Lower noise levels with special silencer system,
- The plug-socket connection system limits the number of cable connections that allows minimizing the number of cable connections in production.
- Adjustable combustion head for desired capacity,
- High sensitive adjustment control with the gas-air servo motors that allows optimum air/fuel mixture which supplies high combustion efficiency.
- High performance fan,
- Easy-to-use operator panel that simplifies fault detections,
- Optional CO/O₂ (trim) system integration for combustion optimization,
- Adequate gas supply control with minimum gas pressure switch
- Combustion air control with air pressure switch
- Leak control with integrated gas leak controller (leakage control system),
- Pilot ignition system integrated into the gas valve without requiring an additional burner pilot line

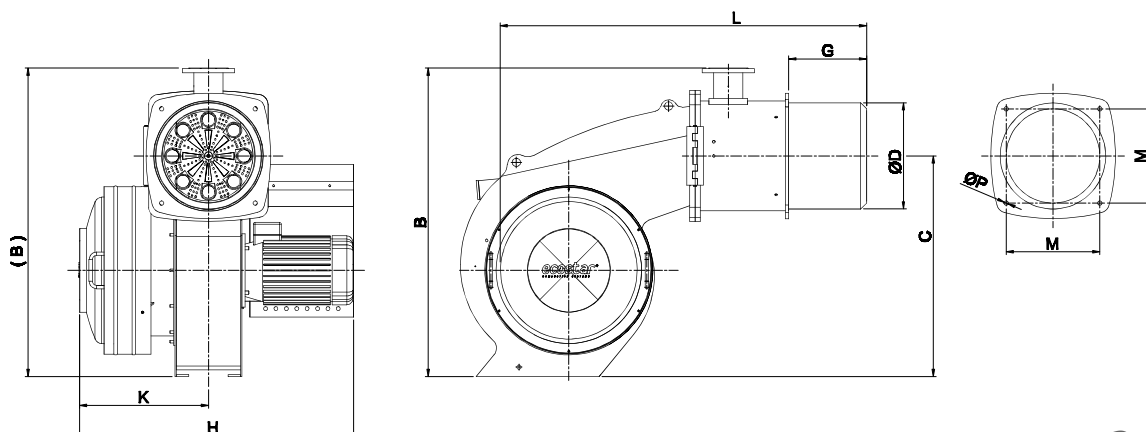
BURNER DIMENSIONS

* Gmax values are standart production values. For diferent sizes pls. contact with our sales team.

ECO 50 NG ECO 55 NG ECO 65 NG ECO 70 NG ECO 8 NG



ECO 9 NG

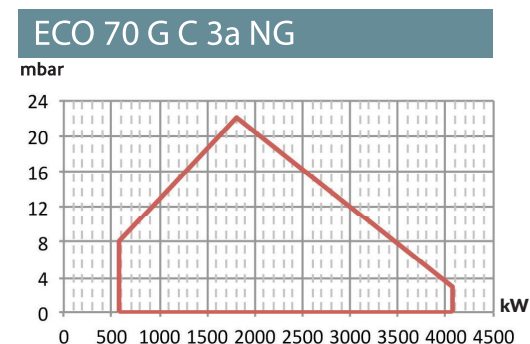
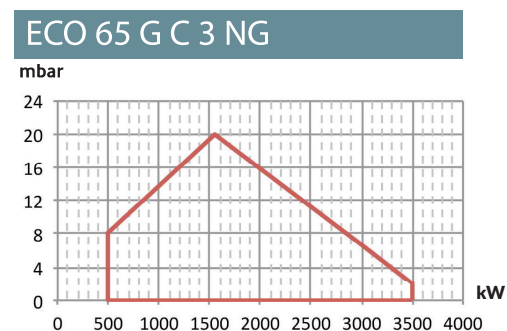
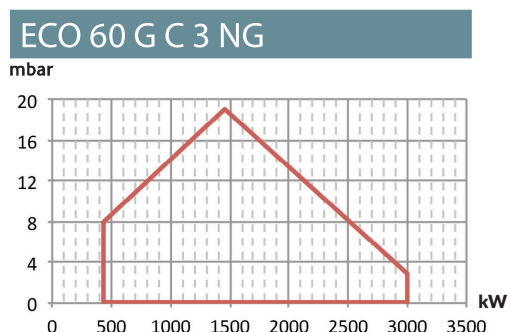
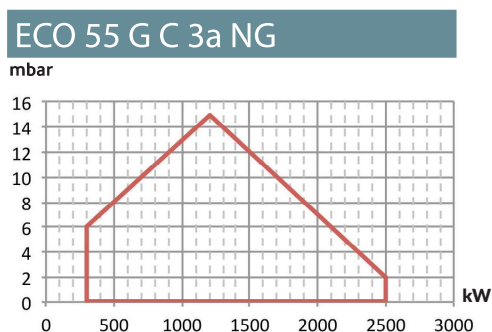
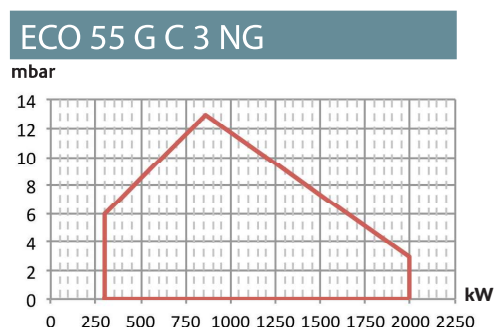
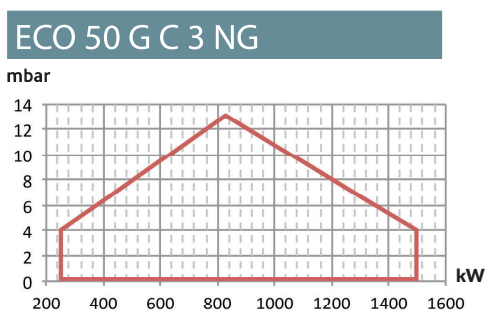




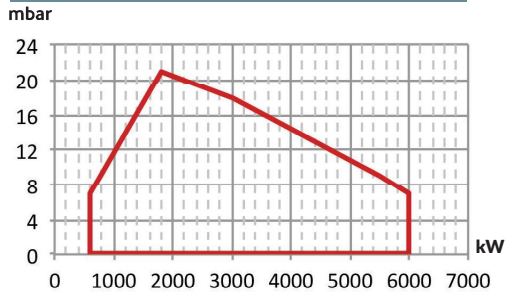
Pls. scan for electronic catalogue.

	L	Gmin	Gmax	H	K	B	C	ØP	M	ØD	ØD1
ECO 50 G C 3 NG	1560	280	440	890	530	630	430	18	275	218	236
ECO 55 G C 3 NG	1560	280	440	890	530	630	430	18	275	218	236
ECO 55 G C 3 a NG	1560	280	440	890	530	630	430	18	275	218	236
ECO 60 G C 3 NG	1855	200	355	1000	560	770	515	18	275	240	-
ECO 65 G C 3 NG	2005	200	440	1000	560	770	515	18	275	250	280
ECO 70 G C 3 NG	2005	200	440	1000	560	770	515	18	275	250	280
ECO 8 G C 3 NG	1860	305	305	1210	610	1060	685	18	360	408	-
ECO 8 G C 3 a NG	1860	305	305	1210	610	1060	685	18	360	408	-
ECO 8 G C 3 b NG	1860	305	305	1210	610	1060	685	18	360	408	-
ECO 9 G C 3 NG	1955	375	375	1320	620	1475	1055	22	450	508	-
ECO 9 G C 3 a NG	1955	375	375	1320	620	1475	1055	22	450	508	-
ECO 9 G C 3 b NG	1955	375	375	1320	620	1475	1055	22	450	508	-
ECO 9 G C 3 c NG	1955	375	375	1320	620	1475	1055	22	450	508	-

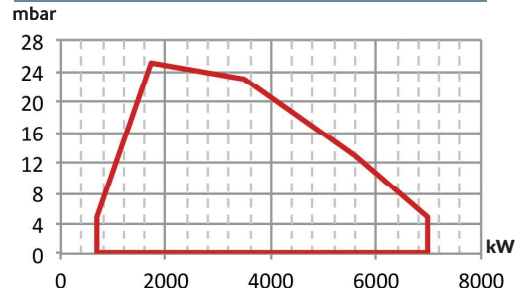
BACK PRESSURE DIAGRAMS



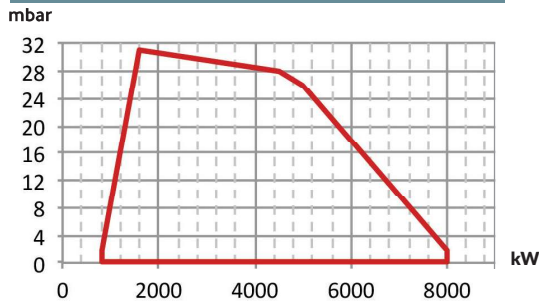
ECO 8 G C 3 NG



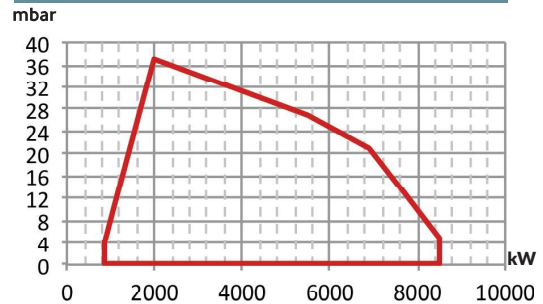
ECO 8 G C 3 a NG



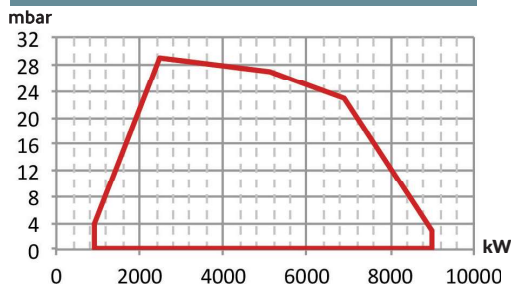
ECO 8 G C 3 b NG



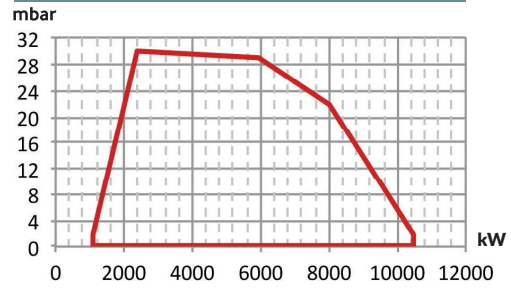
ECO 9 G C 3 NG



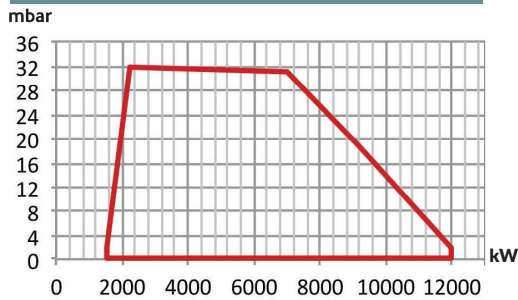
ECO 9 G C 3 a NG



ECO 9 G C 3 b NG



ECO 9 G C 3 c NG





Pls. scan for electronic catalogue.

NG SERIES LIGHT OIL BURNERS



NEW GENERATION MODULATING LIGHT OIL BURNERS

CAPACITY TABLES

BURNER TYPE	CAPACITY		CAPACITY		LIGHT OIL CONSUMPTION		FAN MOTOR POWER	VOLTAGE AT 50 Hz
	Min. kcal/h	Max. kcal/h	Min. kW	Max. kW	Min. kg/h	Max. kg/h	kW	VAC
ECO 8 O L C 3 NG	722.400	5.160.000	840	6.000	70,8	505,9	11,00	3N 380
ECO 8 O L C 3a NG	842.800	6.020.000	980	7.000	82,6	590,2	11,00	3N 380
ECO 8 O L C 3b NG	963.200	6.880.000	1.120	8.000	94,4	674,5	15,00	3N 380
ECO 9 O L C 3 NG	1.023.400	7.310.000	1.190	8.500	100,3	716,7	18,50	3N 380
ECO 9 O L C 3a NG	1.083.600	7.740.000	1.260	9.000	106,2	758,8	22,00	3N 380
ECO 9 O L C 3b NG	1.324.400	9.030.000	1.540	10.500	129,8	885,3	22,00	3N 380
ECO 9 O L C 3c NG	1.806.000	10.320.000	2.100	12.000	177,1	1.011,8	22,00	3N 380

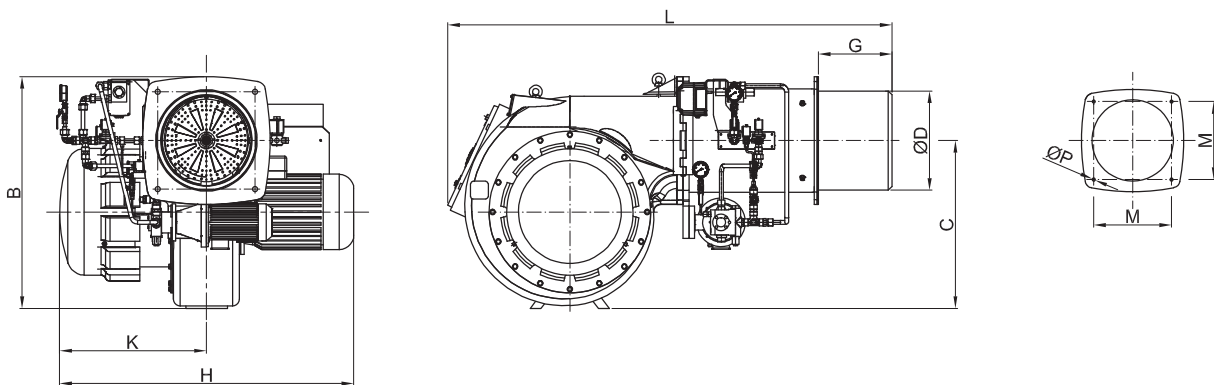
TECHNICAL SPECIFICATIONS

- Easy maintenance with its hinged system without detaching the burner from the boiler,
- Sliding flange for connection to different types of boilers,
- Lower noise levels with special silencer system,
- The plug-socket connection system limits the number of cable connections that allows minimizing the number of cable connections in production.
- Adjustable combustion head for desired capacity,
- High sensitive adjustment control with the gas-air servo motors that allows optimum air/fuel mixture which supplies high combustion efficiency.
- High performance fan,
- Easy-to-use operator panel that simplifies fault detections,
- Optional CO/O₂ (trim) system integration for combustion optimization,
- Combustion air control with air pressure switch
- Pilot ignition system
- High pressure mechanical atomization at nozzle

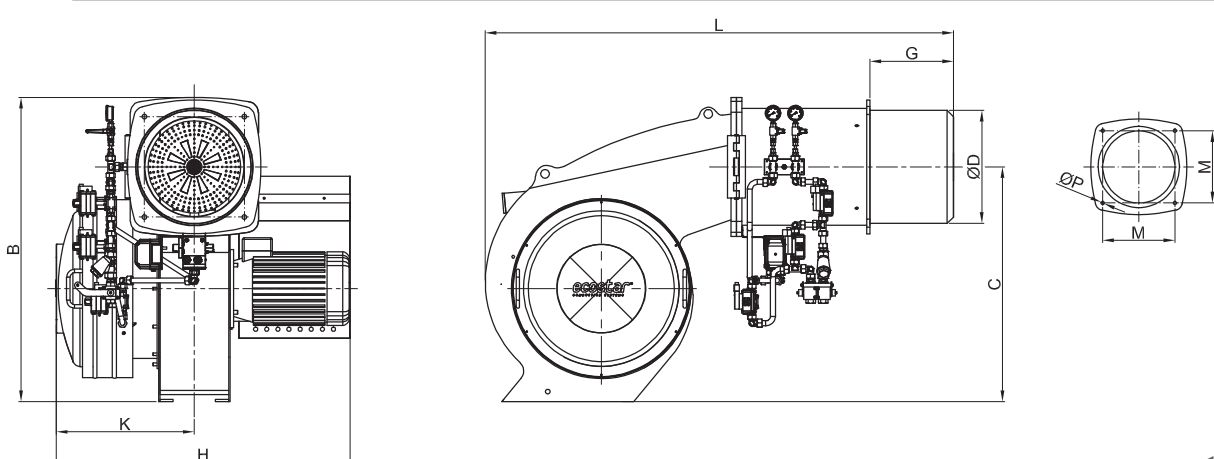
BURNER DIMENSIONS

* Gmax values are standard production values. Contact the sales department for different dimensions

ECO 8



ECO 9





Pls. scan for electronic catalogue.

	L	Gmin	Gmax	H	K	B	C	ØP	M	ØD	ØD1
ECO 8 O (L) NG	1830	-	300	1210	610	960	695	18	400	408	-
ECO 9 O (L) NG	2110	-	375	1320	620	1370	1055	22	450	508	-

BACK PRESSURE DIAGRAMS

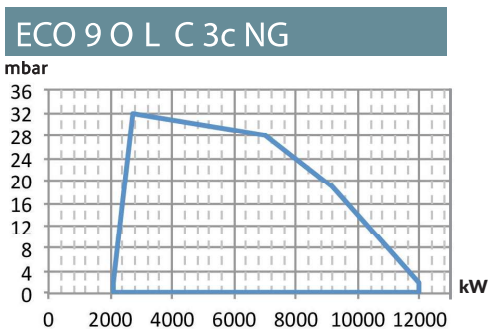
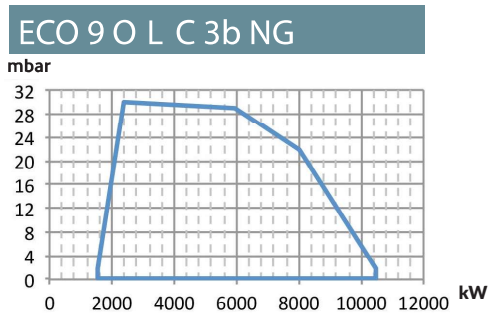
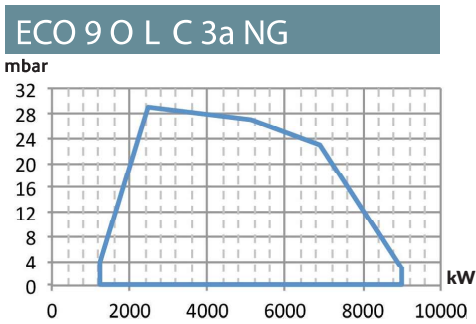
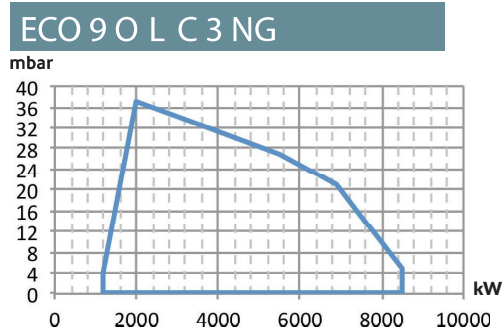
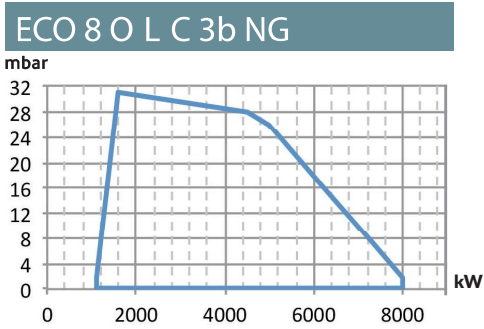
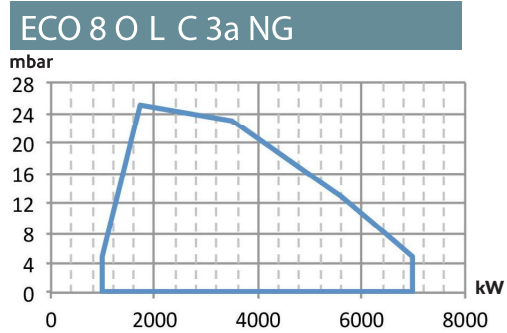
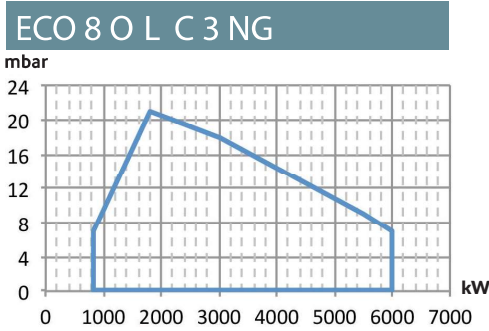


Table explanations

1S	ONE STAGE	2S	TWO STAGE	M	Modulating
M	MANUAL	SM	SERVOMOTOR		
io	IONIZATION	PH	PHOTOCELL		
DI	DIRECT IGNITION	PI	PILOT IGNITION		
•	YES	°	NO	•	Optional

Specifications of New Generation modulating monoblock gas burners

Specifications	ECO 50 G C 3 NG	ECO 55 G C 3 NG	ECO 55 G C 3a NG	ECO 60 G C 3 NG	ECO 65 G C 3 NG	ECO 70 G C 3 NG	ECO 8 G C 3 NG	ECO 8 G C 3 a NG	ECO 8 G C 3 b NG	ECO 9 G C 3 NG	ECO 9 G C 3 a NG	ECO 9 G C 3 b NG	ECO 9 G C 3 c NG
Control Type	M	M	M	M	M	M	M	M	M	M	M	M	M
Air Flow Regulating	SM	SM	SM	SM	SM	SM	SM	SM	SM	SM	SM	SM	SM
Adjustable Flame Tube Extension	SM	SM	SM	SM	SM	SM	SM	SM	SM	SM	SM	SM	SM
Gas Valve	•	•	•	•	•	•	•	•	•	•	•	•	•
Ignition	DI	DI	DI	DI	DI	DI	PI	PI	PI	PI	PI	PI	PI
Minimum gas pressure switch	•	•	•	•	•	•	•	•	•	•	•	•	•
Maximum gas pressure switch	•	•	•	•	•	•	•	•	•	•	•	•	•
VPS Gas Leakage Control Device	•	•	•	•	•	•	•	•	•	•	•	•	•
Air pressure switch	•	•	•	•	•	•	•	•	•	•	•	•	•
Flame dedector	io	io	io	io	io	io	PH	PH	PH	PH	PH	PH	PH
Hinged body for easy maintainance	•	•	•	•	•	•	•	•	•	•	•	•	•
Optional flame tube length	•	•	•	•	•	•	•	•	•	•	•	•	•
Connection for O2-CO combustion control system	•	•	•	•	•	•	•	•	•	•	•	•	•
Inverter connection for combustion air fan	•	•	•	•	•	•	•	•	•	•	•	•	•
Fuel transferring station	•	•	•	•	•	•	•	•	•	•	•	•	•
TSE EN-676 CERTIFICATION	•	•	•	•	•	•	•	•	•	•	•	•	•
CE Marking	•	•	•	•	•	•	•	•	•	•	•	•	•
Electrical protection class	IP40	IP40	IP40	IP40	IP40	IP40	IP54	IP54	IP54	IP54	IP54	IP54	IP54

Specifications of New Generation modulating monoblock light-oil burners

Specifications	ECO 80 L C 3 NG	ECO 80 L C 3 a NG	ECO 80 L C 3 b NG	ECO 90 L C 3 NG	ECO 90 L C 3 a NG	ECO 90 L C 3 b NG	ECO 90 L C 3 c NG
Control Type	M	M	M	M	M	M	M
Air Flow Regulating	SM	SM	SM	SM	SM	SM	SM
Adjustable Flame Tube Extension	SM	SM	SM	SM	SM	SM	SM
Ignition	PI	PI	PI	PI	PI	PI	PI
Pilot gas valve	•	•	•	•	•	•	•
Air pressure switch	•	•	•	•	•	•	•
Flame dedector	PH	PH	PH	PH	PH	PH	PH
Liquid oil pump and hoses	•	•	•	•	•	•	•
Hinged body for easy maintainance	•	•	•	•	•	•	•
Optional flame tube length	•	•	•	•	•	•	•
Connection for O2-CO combustion control system	•	•	•	•	•	•	•
Inverter connection for combustion air fan	•	•	•	•	•	•	•
Fuel transferring station	•	•	•	•	•	•	•
TSE EN-676 CERTIFICATION	•	•	•	•	•	•	•
CE Marking	•	•	•	•	•	•	•
Electrical protection class	IP54	IP54	IP54	IP54	IP54	IP54	IP54





Pls. scan for electronic catalogue.

NG SERIES HEAVY OIL BURNERS



NEW GENERATION MODULATING HEAVY OIL BURNERS

CAPACITY TABLES

BURNER TYPE	CAPACITY		CAPACITY		HEAVY-OIL CONSUMPTION		FAN MOTOR POWER	VOLTAGE AT 50 Hz
	Min. kcal/h	Max. kcal/h	Min. kW	Max. kW	Min. kg/h	Max. kg/h	kW	VAC
ECO 8 O S C 3 NG	722.400	5.160.000	840	6.000	74,9	534,7	11,00	3N 380
ECO 8 O S C 3a NG	842.800	6.020.000	980	7.000	87,3	623,8	11,00	3N 380
ECO 8 O S C 3b NG	963.200	6.880.000	1.120	8.000	99,8	713,0	15,00	3N 380
ECO 9 O S C 3 NG	1.023.400	7.310.000	1.190	8.500	106,1	757,5	18,50	3N 380
ECO 9 O S C 3a NG	1.083.600	7.740.000	1.260	9.000	112,3	802,1	22,00	3N 380
ECO 9 O S C 3b NG	1.324.400	9.030.000	1.540	10.500	137,2	935,8	22,00	3N 380
ECO 9 O S C 3c NG	1.806.000	10.320.000	2.100	12.000	187,2	1.069,4	22,00	3N 380

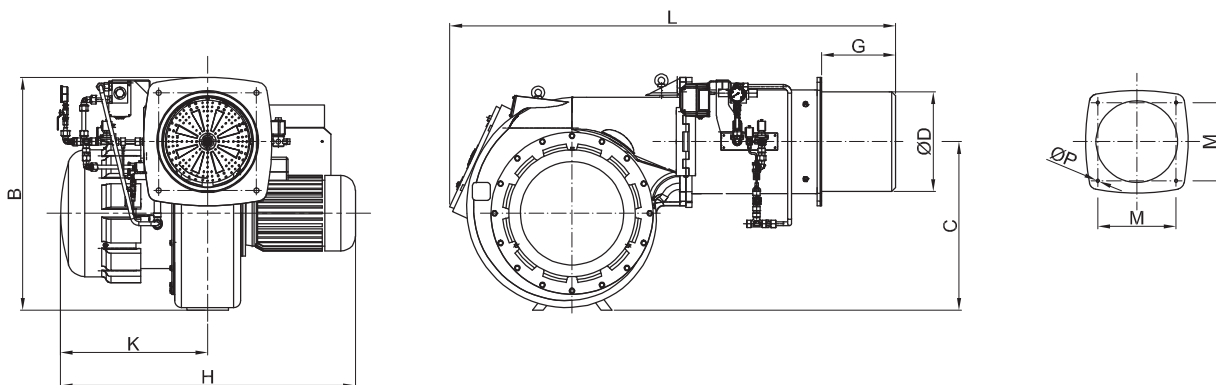
TECHNICAL SPECIFICATIONS

- Easy maintenance with its hinged system without detaching the burner from the boiler,
- Sliding flange for connection to different types of boilers,
- Lower noise levels with special silencer system,
- The plug-socket connection system limits the number of cable connections that allows minimizing the number of cable connections in production.
- Adjustable combustion head for desired capacity,
- High sensitive adjustment control with the gas-air servo motors that allows optimum air/fuel mixture which supplies high combustion efficiency.
- High performance fan,
- Easy-to-use operator panel that simplifies fault detections,
- Optional CO/O₂ (trim) system integration for combustion optimization,
- Adequate gas supply control with minimum gas pressure switch
- Combustion air control with air pressure switch
- Leak control with integrated gas leak controller (leakage control system),
- Pilot ignition system integrated into the gas valve without requiring an additional burner pilot line

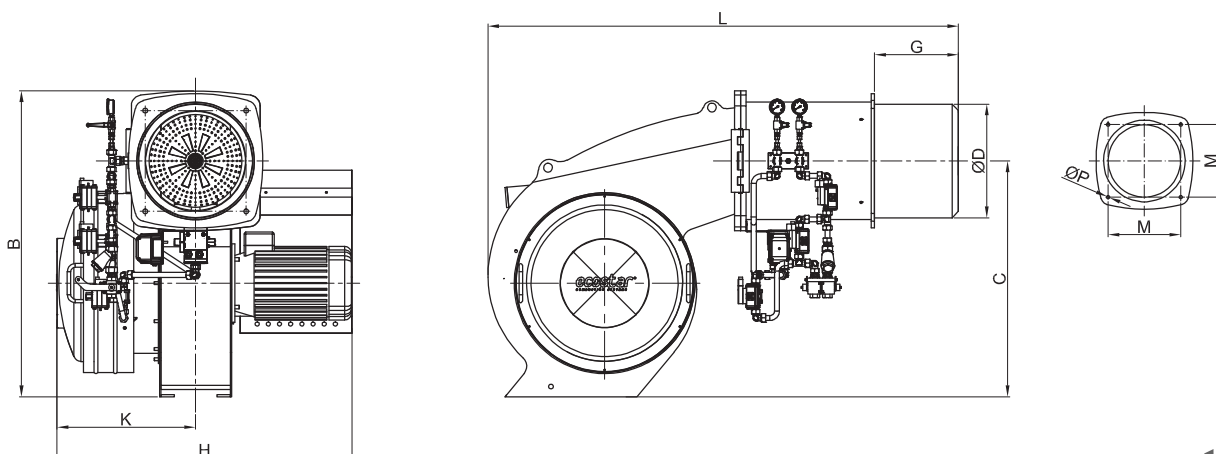
BURNER DIMENSIONS

* Gmax values are standard production values. Contact the sales department for different dimensions.

ECO 8



ECO 9





Pls. scan for electronic catalogue.

	L	Gmin	Gmax	H	K	B	C	ØP	M	ØD	ØD1
ECO 8 O (S) NG	1830	-	300	1210	610	960	695	18	400	408	-
ECO 9 O (S) NG	2110	-	375	1320	620	1370	1055	22	450	508	-

BACK PRESSURE DIAGRAMS

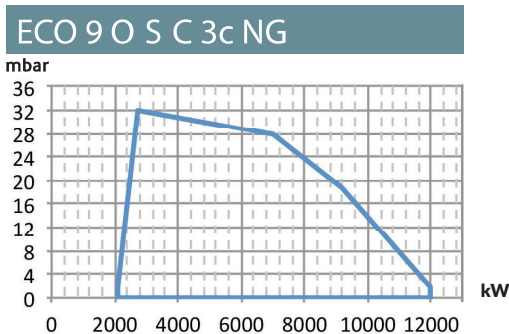
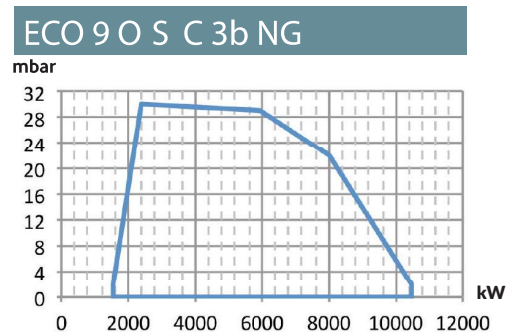
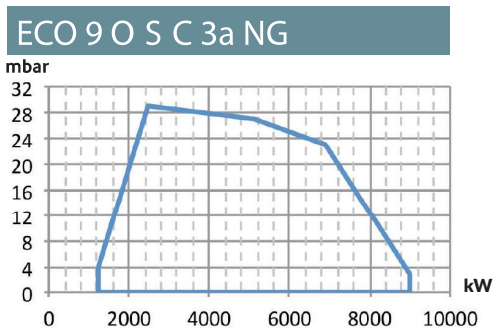
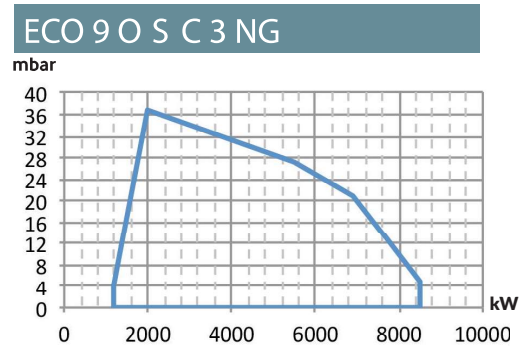
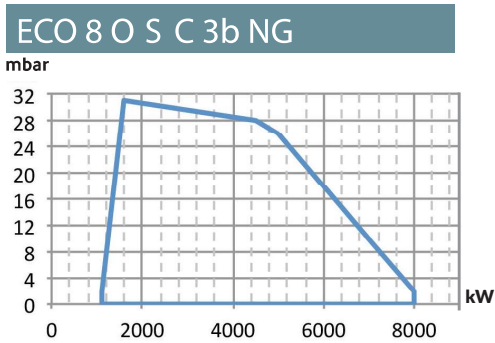
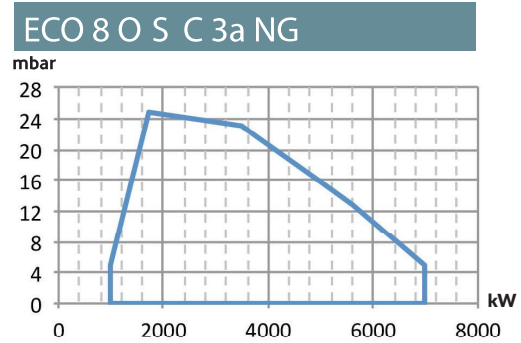
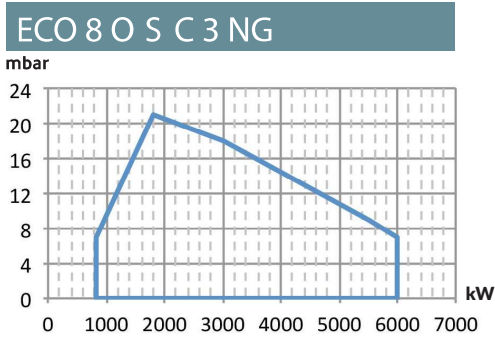


Table explanations

1S	ONE STAGE	2S	TWO STAGE	M	Modulating
M	MANUAL	SM	SERVOMOTOR		
IO	IONIZATION	PH	PHOTOCELL		
DI	DIRECT IGNITION	PI	PILOT IGNITION		
•	YES	°	NO	•	Optional

Specifications of New Generation modulating monoblock heavy-oil burners

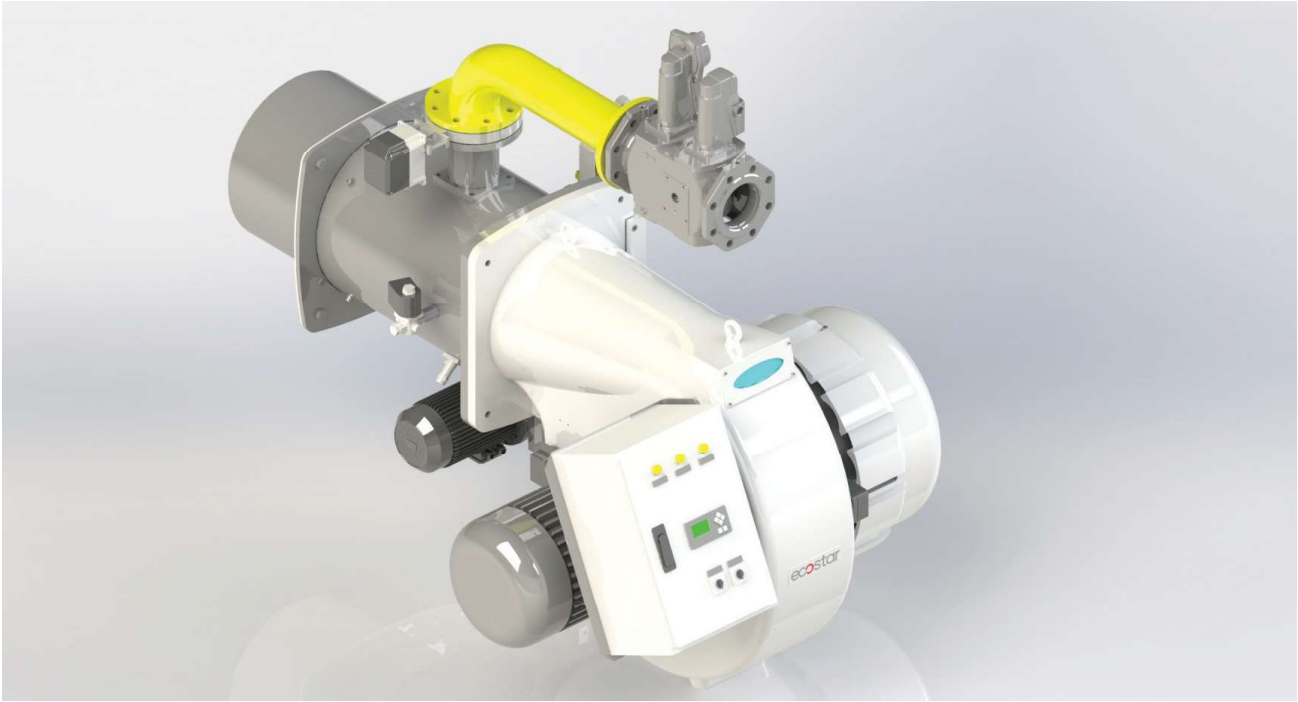
Specifications	ECO 8 OS C3 NG	ECO 8 OS C3a NG	ECO 8 OS C3b NG	ECO 9 OS C3 NG	ECO 9 OS C3a NG	ECO 9 OS C3b NG	ECO 9 OS C3c NG
Control Type	M	M	M	M	M	M	M
Air Flow Regulating	SM	SM	SM	SM	SM	SM	SM
Fuel Flow Regulating	SM	SM	SM	SM	SM	SM	SM
Pilot Ignition	•	•	•	•	•	•	•
Pilot gas valve	•	•	•	•	•	•	•
Air pressure switch	•	•	•	•	•	•	•
Flame dedector	PH	PH	PH	PH	PH	PH	PH
Heating and pumping station	•	•	•	•	•	•	•
Liquid oil pump and hoses	•	•	•	•	•	•	•
Hinged body for easy maintainance	•	•	•	•	•	•	•
Optional flame tube length	•	•	•	•	•	•	•
Connection for O2-CO combustion control system	•	•	•	•	•	•	•
Inverter connection for combustion air fan	•	•	•	•	•	•	•
Fuel transferring station	•	•	•	•	•	•	•
TSE EN-676 CERTIFICATION	•	•	•	•	•	•	•
CE Marking	•	•	•	•	•	•	•
Electrical protection class	IP54	IP54	IP54	IP54	IP54	IP54	IP54





Pls. scan for electronic catalogue.

NG SERIES GAS - HEAVY OIL BURNERS



NEW GENERATION MODULATING GAS-HEAVY OIL BURNERS

CAPACITY TABLES

BURNER TYPE	NATURAL GAS CAPACITY		NATURAL GAS CAPACITY		NATURAL GAS CONSUMPTION		HEAVY-OIL CAPACITY		HEAVY-OIL CAPACITY		HEAVY-OIL CONS.		FAN MOTOR POWER	VOLTAGE AT 50 Hz
	Min. kcal/h	Max. kcal/h	Min. kW	Max. kW	Min. Nm ³ /h	Max. Nm ³ /h	Min. kcal/h	Max. kcal/h	Min. kW	Max. kW	Min. kg/h	Max. kg/h	kW	VAC
ECO 8 K S C 3 NG	516,000	5,160,000	600	6,000	63	625	722,400	5,160,000	840	6,000	74.9	534.7	11.00	3N 380
ECO 8 K S C 3 a NG	602,000	6,020,000	700	7,000	73	730	842,800	6,020,000	980	7,000	87.3	623.8	11.00	3N 380
ECO 8 K S C 3 b NG	688,000	6,880,000	800	8,000	83	834	963,200	6,880,000	1,120	8,000	99.8	713.0	15.00	3N 380
ECO 9 K S C 3 NG	731,000	7,310,000	850	8,500	89	886	1,023,400	7,310,000	1,190	8,500	106.1	757.5	18.50	3N 380
ECO 9 K S C 3a NG	774,000	7,740,000	900	9,000	94	938	1,083,600	7,740,000	1,260	9,000	112.3	802.1	22.00	3N 380
ECO 9 K S C 3b NG	946,000	9,030,000	1,100	10,500	115	1,095	1,324,400	9,030,000	1,540	10,500	137.2	935.8	22.00	3N 380
ECO 9 K S C 3c NG	1,290,000	10,320,000	1,500	12,000	156	1,251	1,806,000	10,320,000	2,100	12,000	187.2	1,069.4	22.00	3N 380

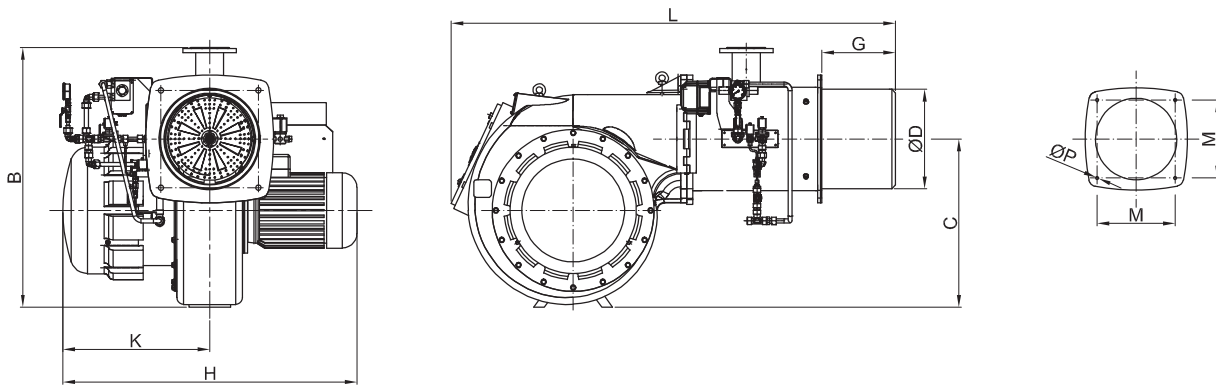
TECHNICAL SPECIFICATIONS

- Easy maintenance with its hinged system without detaching the burner from the boiler,
- Sliding flange for connection to different types of boilers,
- Lower noise levels with special silencer system,
- The plug-socket connection system limits the number of cable connections that allows minimizing the number of cable connections in production.
- Adjustable combustion head for desired capacity,
- High sensitive adjustment control with the gas-air servo motors that allows optimum air/fuel mixture which supplies high combustion efficiency.
- High performance fan,
- Easy-to-use operator panel that simplifies fault detections,
- Optional CO/O₂ (trim) system integration for combustion optimization,
- Adequate gas supply control with minimum gas pressure switch
- Combustion air control with air pressure switch
- Leak control with integrated gas leak controller (leakage control system),
- High pressure mechanical atomization at nozzle,
- Pilot ignition option.

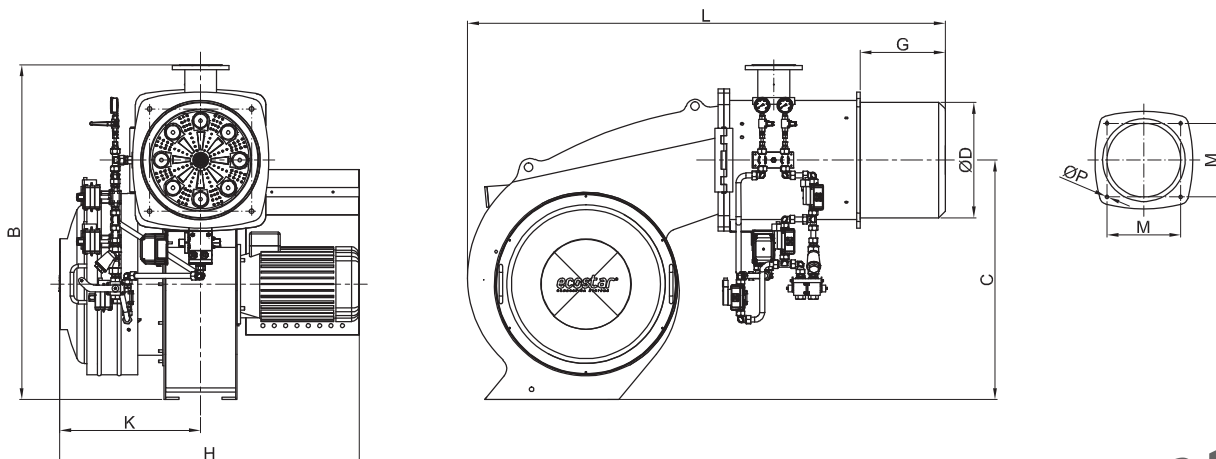
BURNER DIMENSIONS

* Gmax values are standard production values. Contact the sales department for different dimensions.

ECO 8



ECO 9



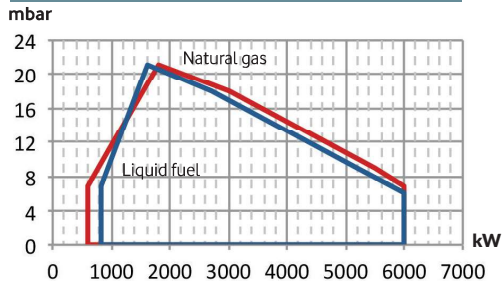


Pls. scan for electronic catalogue.

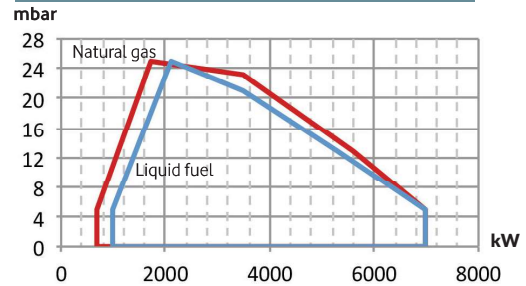
	L	Gmin	Gmax	H	K	B	C	ØP	M	ØD	ØD1
ECO 8 K (L) NG	1830	-	300	1210	610	1060	695	18	400	408	-
ECO 9 K (L) NG	2110	-	375	1320	620	1475	1055	22	450	508	-

BACK PRESSURE DIAGRAMS

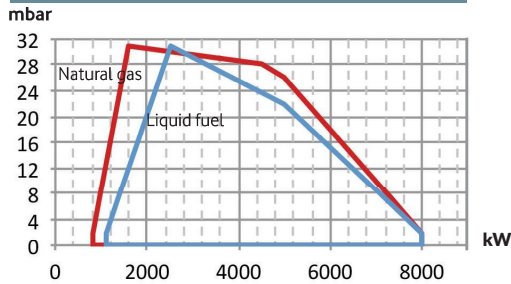
ECO 8 K S C 3 NG



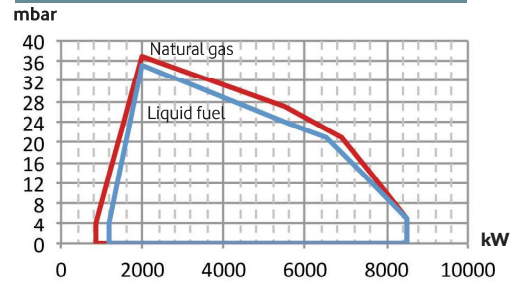
ECO 8 K S C 3a NG



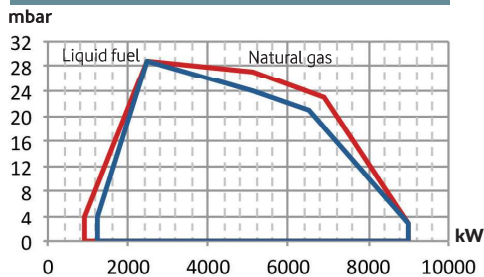
ECO 8 K S C 3b NG



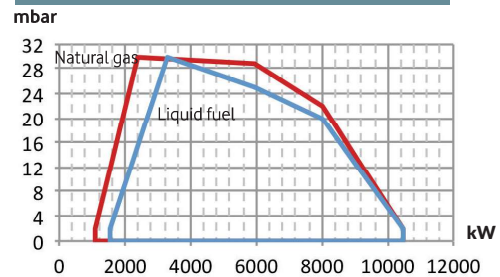
ECO 9 K S C 3 NG



ECO 9 K S C 3a NG



ECO 9 K S C 3b NG



ECO 9 K S C 3c NG

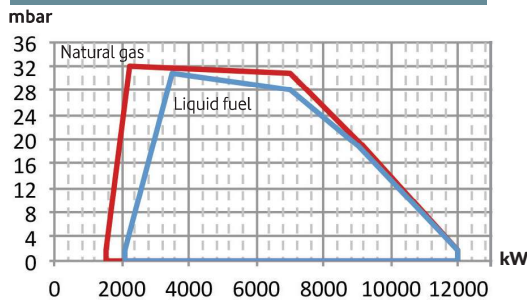
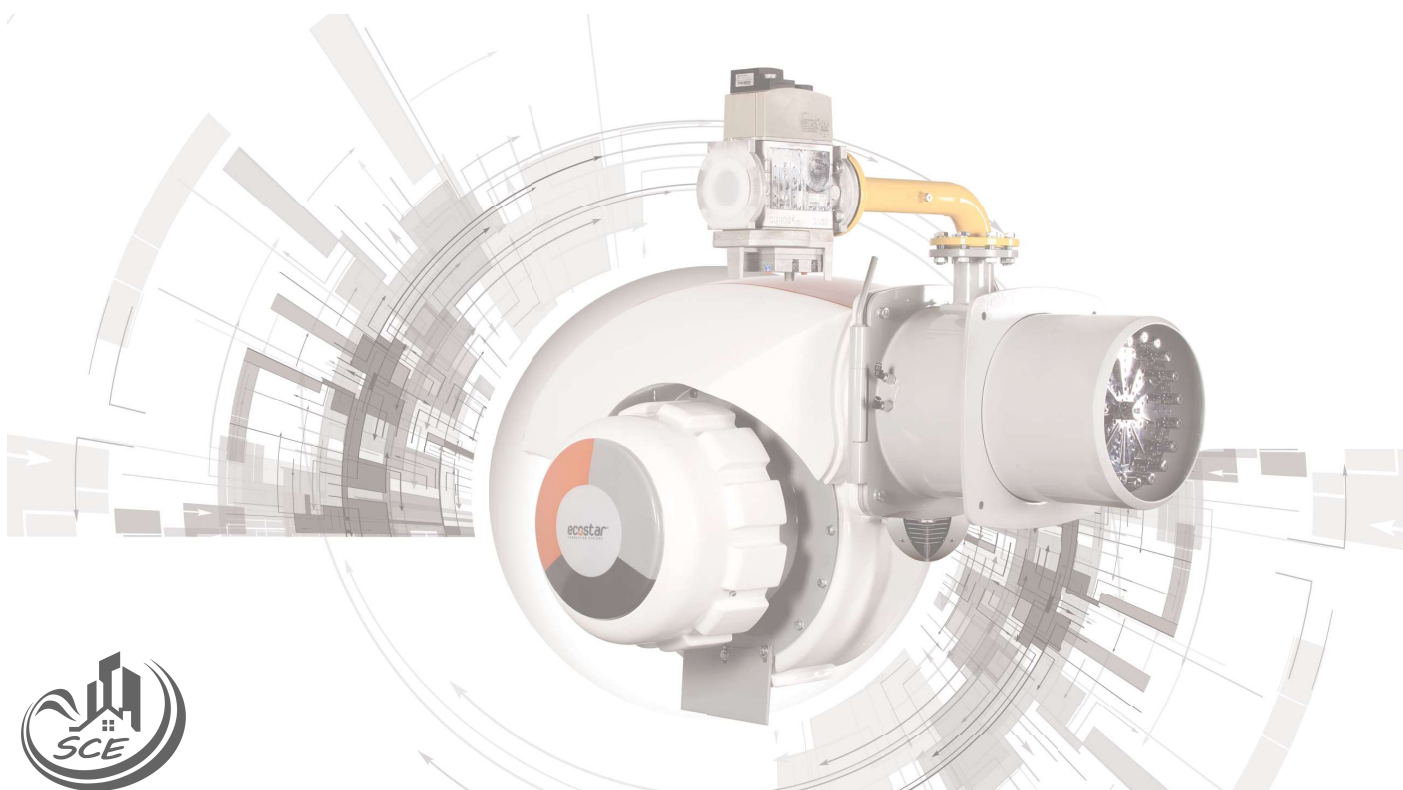


Table explanations

1S	ONE STAGE	2S	TWO STAGE	M	Modulating
M	MANUAL	SM	SERVOMOTOR		
IO	IONIZATION	PH	PHOTOCELL		
DI	DIRECT IGNITION	PI	PILOT IGNITION		
•	YES	°	NO	•	Optional

Specifications of New Generation modulating monoblock gas+heavy-oil burners

Specifications	ECO 8 K S C 3 NG	ECO 8 K S C 3 a NG	ECO 8 K S C 3 b NG	ECO 9 K S C 3 NG	ECO 9 K S C 3 a NG	ECO 9 K S C 3 b NG	ECO 9 K S C 3 c NG
Control Type	M	M	M	M	M	M	M
Air Flow Regulating	SM	SM	SM	SM	SM	SM	SM
Fuel Flow Regulating	SM	SM	SM	SM	SM	SM	SM
Gas valve	•	•	•	•	•	•	•
Pilot Ignition	•	•	•	•	•	•	•
Pilot gas valve	•	•	•	•	•	•	•
Minimum gas pressure switch	•	•	•	•	•	•	•
Maximum gas pressure switch	•	•	•	•	•	•	•
VPS Gas Leakage Control Device	•	•	•	•	•	•	•
Air pressure switch	•	•	•	•	•	•	•
Flame dedector	PH	PH	PH	PH	PH	PH	PH
Heating and pumping station	•	•	•	•	•	•	•
Liquid oil pump and hoses	•	•	•	•	•	•	•
Hinged body for easy maintenance	•	•	•	•	•	•	•
Optional flame tube length	•	•	•	•	•	•	•
Connection for O2-CO combustion control system	•	•	•	•	•	•	•
Inverter connection for combustion air fan	•	•	•	•	•	•	•
Fuel transferring station	•	•	•	•	•	•	•
TSE EN-676 CERTIFICATION	•	•	•	•	•	•	•
CE Marking	•	•	•	•	•	•	•
Electrical protection class	IP54	IP54	IP54	IP54	IP54	IP54	IP54





Pls. scan for electronic catalogue.

NG SERIES GAS - LIGHT OIL BURNERS



NEW GENERATION MODULATING GAS-LIGHT OIL BURNERS

CAPACITY TABLES

BURNER TYPE	NATURAL GAS CAPACITY		NATURAL GAS CAPACITY		NATURAL GAS CONSUMPTION		LIGHT OIL CAPACITY		LIGHT OIL CAPACITY		LIGHT OIL CONS.		FAN MOTOR POWER	VOLTAGE AT 50 Hz
	Min. kcal/h	Max. kcal/h	Min. kW	Max. kW	Min. Nm ³ /h	Max. Nm ³ /h	Min. kcal/h	Max. kcal/h	Min. kW	Max. kW	Min. kg/h	Max. kg/h	kW	VAC
ECO 8 K L C 3 NG	516,000	5,160,000	600	6,000	63	625	722,400	5,160,000	840	6,000	70.8	505.9	11.00	3N 380
ECO 8 K L C 3 a NG	602,000	6,020,000	700	7,000	73	730	842,800	6,020,000	980	7,000	82.6	590.2	11.00	3N 380
ECO 8 K L C 3 b NG	688,000	6,880,000	800	8,000	83	834	963,200	6,880,000	1,120	8,000	94.4	674.5	15.00	3N 380
ECO 9 K L C 3 NG	731,000	7,310,000	850	8,500	89	886	1,023,400	7,310,000	1,190	8,500	100.3	716.7	18.50	3N 380
ECO 9 K L C 3a NG	774,000	7,740,000	900	9,000	94	938	1,083,600	7,740,000	1,260	9,000	106.2	758.8	22.00	3N 380
ECO 9 K L C 3b NG	946,000	9,030,000	1,100	10,500	115	1,095	1,324,400	9,030,000	1,540	10,500	129.8	885.3	22.00	3N 380
ECO 9 K L C 3c NG	1,290,000	10,320,000	1,500	12,000	156	1,251	1,806,000	10,320,000	2,100	12,000	177.1	1,011.8	22.00	3N 380

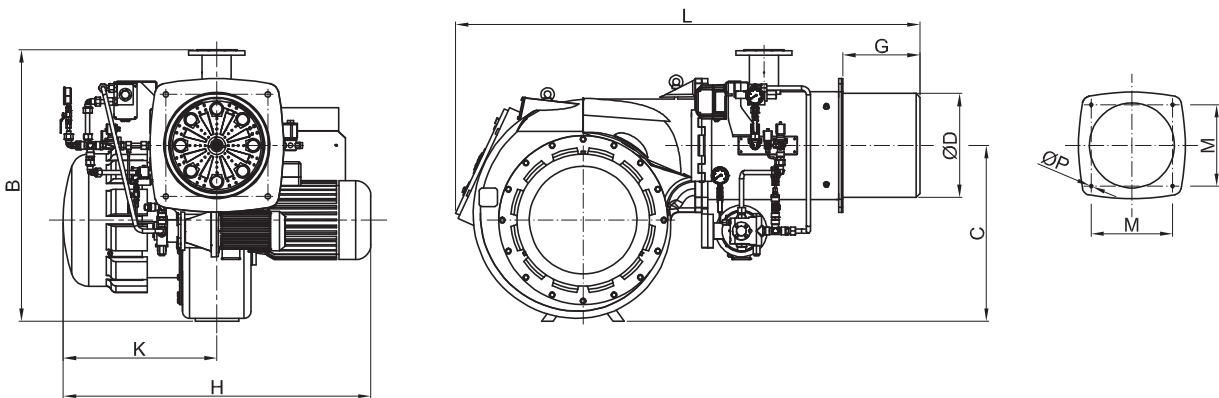
TECHNICAL SPECIFICATIONS

- Easy maintenance with its hinged system without detaching the burner from the boiler,
- Sliding flange for connection to different types of boilers,
- Lower noise levels with special silencer system,
- The plug-socket connection system limits the number of cable connections that allows minimizing the number of cable connections in production.
- Adjustable combustion head for desired capacity,
- High sensitive adjustment control with the gas-air servo motors that allows optimum air/fuel mixture which supplies high combustion efficiency.
- High performance fan,
- Easy-to-use operator panel that simplifies fault detections,
- Optional CO/O₂ (trim) system integration for combustion optimization,
- Adequate gas supply control with minimum gas pressure switch
- Combustion air control with air pressure switch
- Leak control with integrated gas leak controller (leakage control system),
- High pressure mechanical atomization at nozzle,
- Pilot ignition option.

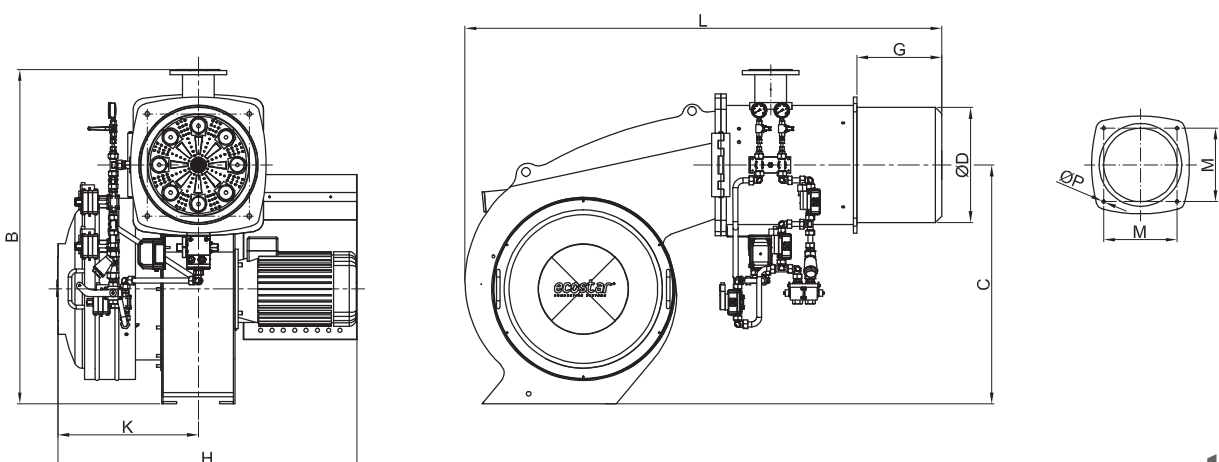
BURNER DIMENSIONS

* Gmax values are standard production values. Contact the sales department for different dimensions.

ECO 8



ECO 9



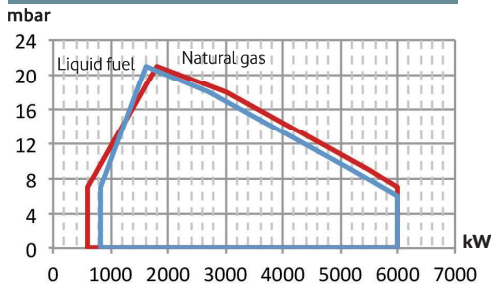


Pls. scan for electronic catalogue.

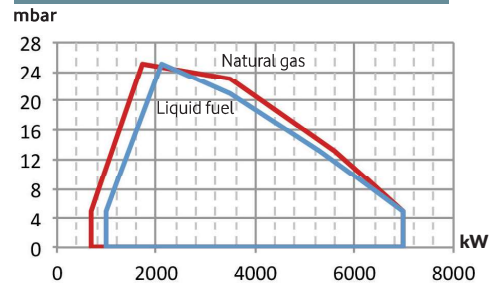
	L	Gmin	Gmax	H	K	B	C	ØP	M	ØD	ØD1
ECO 8 K (L) NG	1830	-	300	1210	610	1060	695	18	400	408	-
ECO 9 K (L) NG	2110	-	375	1320	620	1475	1055	22	450	508	-

BACK PRESSURE DIAGRAMS

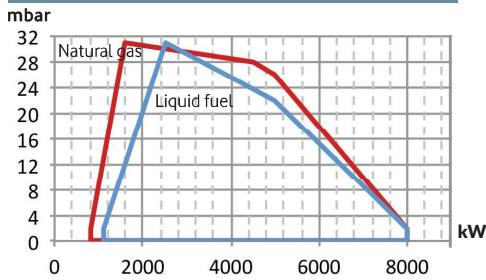
ECO 8 K L C 3 NG



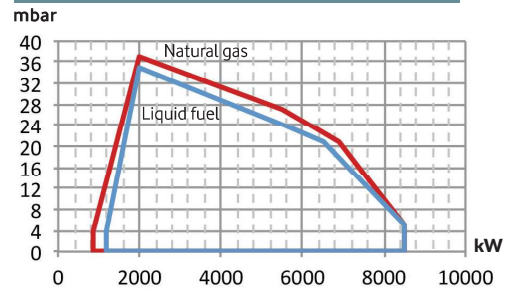
ECO 8 K L C 3a NG



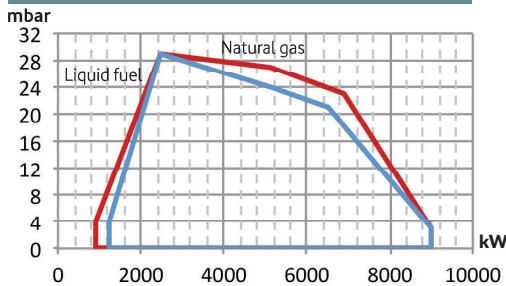
ECO 8 K L C 3b NG



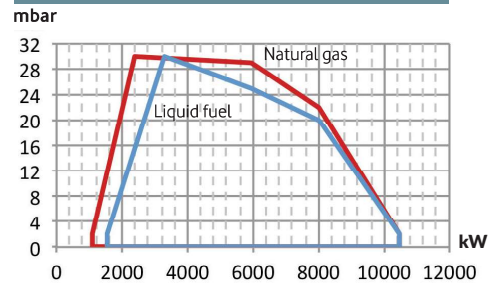
ECO 9 K L C 3 NG



ECO 9 K L C 3a NG



ECO 9 K L C 3b NG



ECO 9 K L C 3c NG

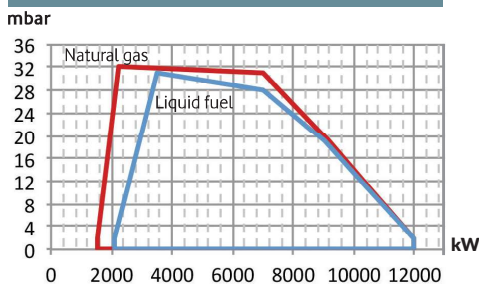


Table explanations

1S	ONE STAGE	2S	TWO STAGE	M	Modulating
M	MANUAL	SM	SERVOMOTOR		
io	IONIZATION	PH	PHOTOCELL		
DI	DIRECT IGNITION	PI	PILOT IGNITION		
•	YES	°	NO	•	Optional

Specifications of New Generation modulating monoblock gas + light-oil burners

Specifications	ECO8 K L C 3 NG	ECO8 K L C 3 a NG	ECO8 K L C 3 b NG	ECO9 K L C 3 NG	ECO9 K L C 3a NG	ECO9 K L C 3b NG	ECO9 K L C 3c NG
Control Type	M	M	M	M	M	M	M
Air Flow Regulating	SM	SM	SM	SM	SM	SM	SM
Fuel Flow Regulating	SM	SM	SM	SM	SM	SM	SM
Gas valve	•	•	•	•	•	•	•
Pilot Ignition	•	•	•	•	•	•	•
Pilot gas valve	•	•	•	•	•	•	•
Minimum gas pressure switch	•	•	•	•	•	•	•
Maximum gas pressure switch	•	•	•	•	•	•	•
VPS Gas Leakage Control Device	•	•	•	•	•	•	•
Air pressure switch	•	•	•	•	•	•	•
Flame dedector	PH	PH	PH	PH	PH	PH	PH
Liquid oil pump and hoses	•	•	•	•	•	•	•
Hinged body for easy maintainance	•	•	•	•	•	•	•
Optional flame tube length	•	•	•	•	•	•	•
Connection for O2-CO combustion control system	•	•	•	•	•	•	•
Inverter connection for combustion air fan	•	•	•	•	•	•	•
Fuel transferring station	•	•	•	•	•	•	•
TSE EN-676 CERTIFICATION	•	•	•	•	•	•	•
CE Marking	•	•	•	•	•	•	•
Electrical protection class	IP54	IP54	IP54	IP54	IP54	IP54	IP54



Pls. scan for electronic catalogue.

ELECTRONIC AIR/FUEL CONTROL

A micro-processor control with certain system components for control and inspection of medium to high power blow burners with burner management system.

